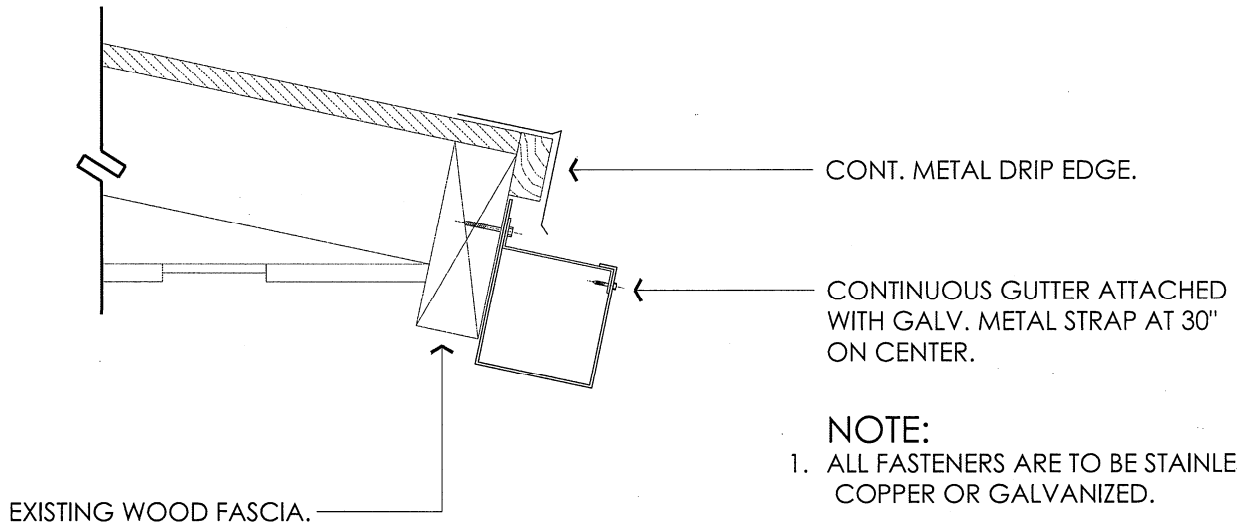




**TYPICAL GUTTER CONNECTION DETAIL:**



**NOTE:**

1. ALL FASTENERS ARE TO BE STAINLESS STEEL, COPPER OR GALVANIZED.
2. LAP GUTTER 3" MINIMUM WITH 2 ROWS OF APPROVED SEALANT.

# GUTTER CONNECTION DETAIL

N.T.S.

**Note 1:** Any deviations from the specifications listed here must be shown on above drawing with additional details.

**Note 2:** Contractor and/or Owner to verify location of gutters and downspouts.

Job Address \_\_\_\_\_

Date: \_\_\_\_\_